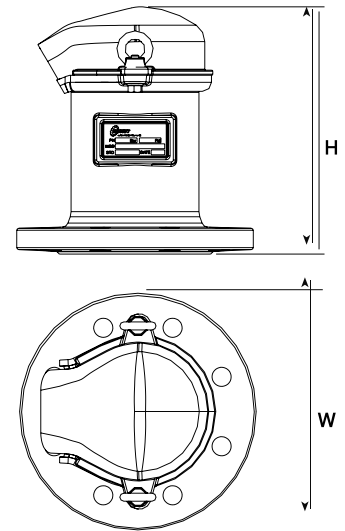


DAV-MS Technical Data

Dimensions

Nom. diameter		Height H		Width W		d-Kinetic orifice area		Approx. shipping Weight	
inch	mm	inch	mm	inch	mm	inch ²	mm ²	kg	lbs
2	50	9.8	250	6.5	165	3.0	1960	7.5	16.5
3	80	9.8	250	7.9	200	3.0	1960	9.0	19.8
4	100	11	280	9.3	235	7.8	5025	14.0	30.9
6	150	15.7	400	11.8	300	12.2	7855	31.0	68.3
8	200	17.3	440	14.2	360	27.4	17670	56.0	125
10	250	19.7	500	16.7	425	48.7	31415	124	273
12	300	26.8	680	19.1	485	76.1	49090	210	467

Connections: ISO, ANSI, BS, JIS flanges, BSP, NPT threads (50mm valves only)

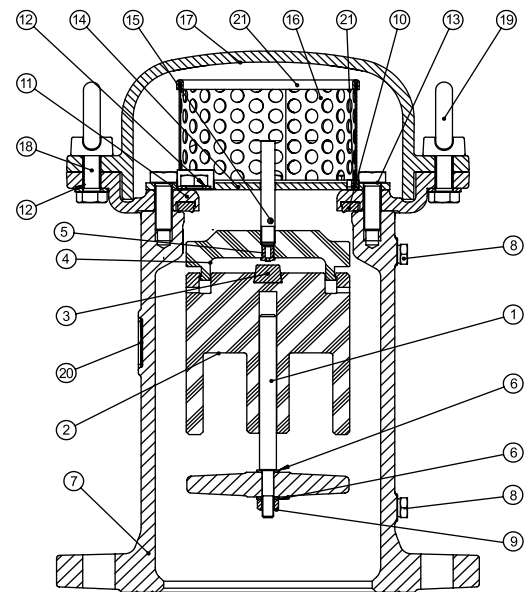


Specifications

Nominal sizes	2" / 50mm to 12" / 300mm
Pressure rating	PN16 (230 psi) and PN25 (350 psi)
Minimal pressure for drip-tight sealing	0.2 bar
Max. Temperature	65°C (150°F)

Components

No.	Description	Material	Note
1	Main guiding shaft	SST 304	
2	Main Float	HDPE	
3	Nozzle Seal	EPDM	
4	Top Float	HDPE	
5	Nozzle	SST 334	
6	Washer	SST 334	DIN125-A2
7	Body	D.I. ISO 1083 GR 400-15	
8	Plug	Brass EN 12165 CW617N	
9	Nut	SST 304	DIN934-A2
10	Seal	NR	
11	Seal Flange	D.I. ISO 1083 GR 400-15	
12	Washer	SST 304	DIN125-A2
13	Bolt	SST 304	
14	Top shaft guide	SST 304	
15	Top shaft	SST 304	DIN933-A2
16	Screen	SST 304	
17	Cover	D.I. ISO 1083GR 400-15	
18	Bolt	SST 304	
19	Lifting ring	Cast Steel	
20	I.D. Plate	Aluminum	
21	Screen Stripe	PVC	



Aero-Dynamic Performance

